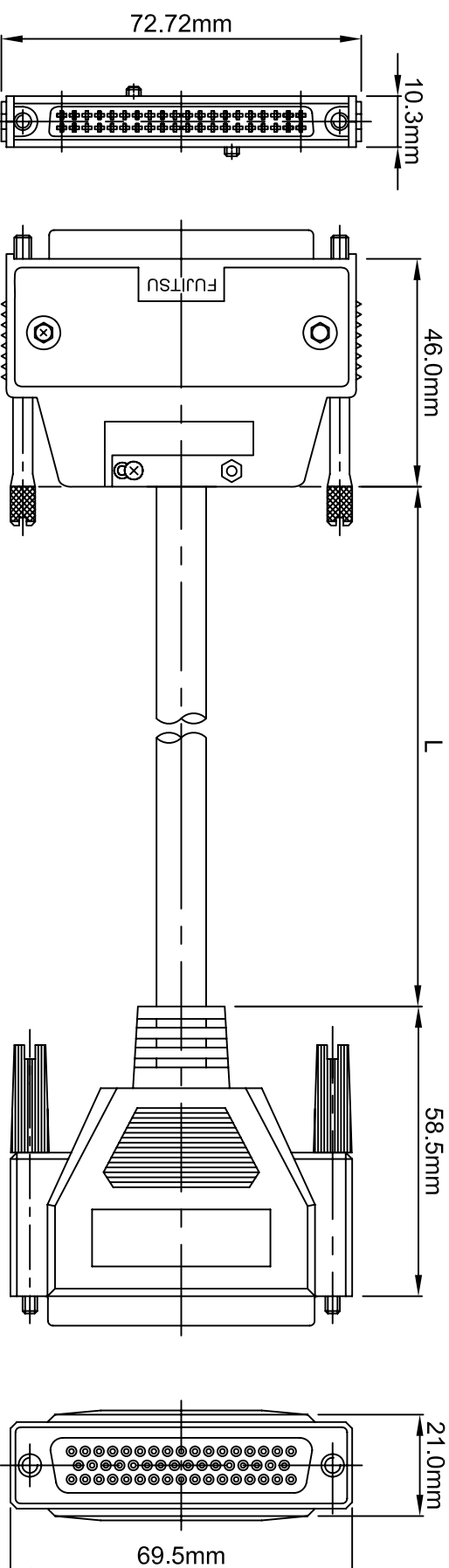


YASKAWA MODULE SIDE

CABLE SPECIFICATION (mm)	
OUTER DIAMETER	8.5 +/- 0.1mm
BENDING RADIUS	6 x O.D. MINIMUM 15 x O.D. FOR LONG TERM RELIABILITY

TERMINAL BLOCK SIDE



TERMINAL BLOCK & CABLE KIT ITEM #S

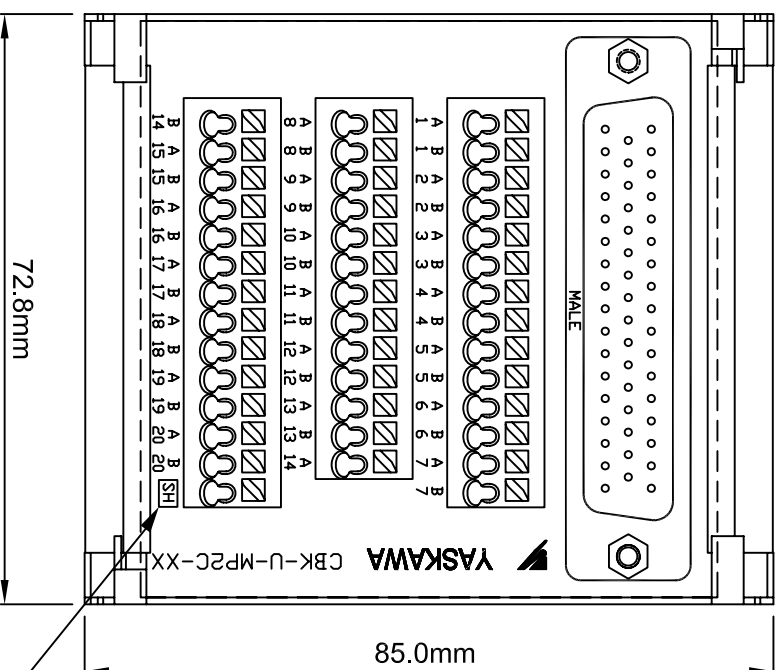
ITEM#	DESCRIPTION	L = LENGTH (mm)
CBK-U-MP2C-A5	I/O CABLE W/TERMINAL BLOCK, L= 0.5 M	500 +/- 38.1
CBK-U-MP2C-01	I/O CABLE W/TERMINAL BLOCK, L= 1 M	1000 +/- 38.1
CBK-U-MP2C-03	I/O CABLE W/TERMINAL BLOCK, L= 3 M	3000 +/- 38.1

KIT BILL OF MATERIALS

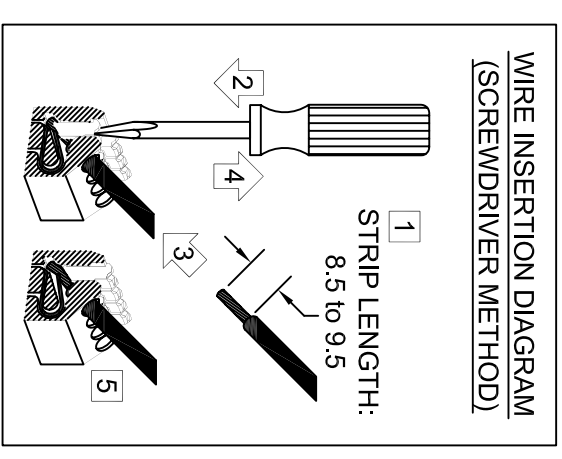
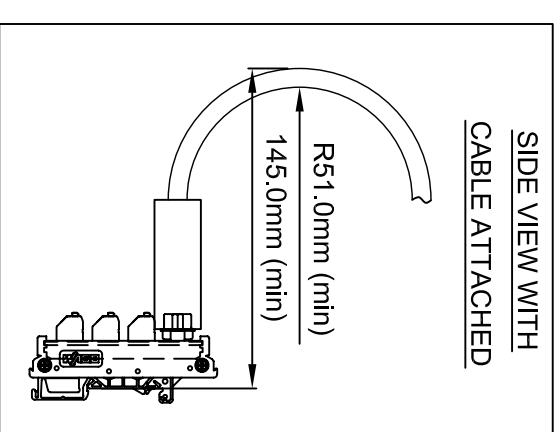
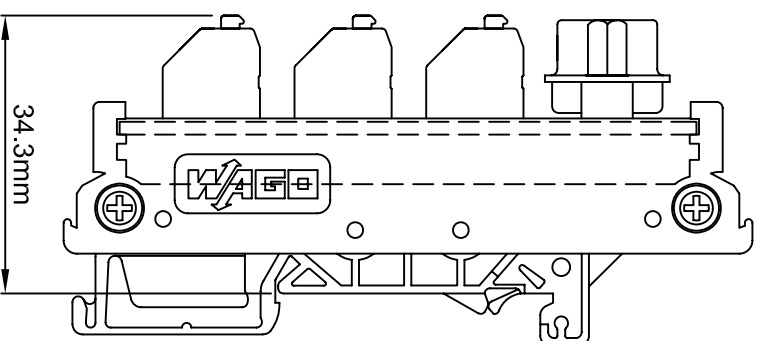
DESCRIPTION	QTY
1 CABLE	1
2 TERMINAL BLOCK	1
3 YASKAWA INSTRUCTION SHEET (UDA00676)	1

NOTES:

- 1) TERMINAL BLOCK WIRE STRIP LENGTH = 8.5 TO 9.5mm
 - 2) TERMINAL BLOCK WIRE SIZE = 16AWG - 24AWG SOLID OR STRANDED.
 - 3) SOLID WIRES AND WIRES WITH FERRULES CAN BE INSERTED DIRECTLY INTO THE TERMINALS WITHOUT THE NEED TO ACTUATE THE TERMINAL BUTTON.
 - 4) FOR STRANDED WIRES THE TERMINAL BUTTON MUST BE ACTUATED WITH A 1/8" WIDE FLAT BLADE SCREWDRIVER OR WITH A WAGO OPERATING TOOL (210-719, 210-720, OR 250-657).
 - 5) TERMINAL BLOCK MOUNTS TO DIN 35 RAIL.
 - 6) TERMINAL BUTTON ACTUATION FORCE = BETWEEN 3 lbf AND 8 lbf FOR THE SPRING TO BE FULLY ACTUATED.
- WARNING - DAMAGE MAY OCCUR IF MORE THAN 40 lbf IS APPLIED TO THE TERMINAL BUTTON.**
- CONNECT THE SH (SHIELD) TERMINAL TO GROUND IF INCREASED NOISE IMMUNITY IS REQUIRED.



SHIELD TERMINAL



REV	DESCRIPTION	EC#	DRAWN BY	DATE
0	INITIAL RELEASE	2010-570		

SEE OPPOSITE SIDE FOR CBK-U-MP2C-XX FUNCTIONALITY INFORMATION

MATERIAL:		TOLERANCES/REFERENCES:		DRAWN:		TITLE:	
N/A	UNLESS OTHERWISE SPECIFIED	E. SONDERMAN	5/14/10	DATE	CBK-U-MP2C-XX TERMINAL BLOCK & CABLE KIT INSTRUCTIONS		
N/A		C. KINTNER	5/26/10	DATE			
N/A		N. HOUCK	5/25/10	DATE			
N/A		M. MORAN	5/26/10	DATE			
UDA00452 (0)							

YASKAWA

THIS DOCUMENT AND INFORMATION CONTAINED IN IT ARE CONFIDENTIAL AND CANNOT BE COPIED OR DISCLOSED IN WHOLE OR IN PART WITHOUT THE EXPRESS WRITTEN CONSENT OF YASKAWA AMERICA INC.

SEE CHART

UDA00676


CBK-U-MP2C-XX FUNCTIONALITY CHART:

JEPMC-IO2310 and JEPMC-IO2330

Pin Number	IN1 signal	IN1 function	IN2 signal	IN2 function	OUT1 signal	OUT1 function	OUT2 signal	OUT2 function
A1	-	-	-	-	024V_6	Common ground 6	024V_8	Common ground 8
B1	-	-	-	-	024V_6	Common ground 6	024V_8	Common ground 8
A2	+24V_2	24V power supply 2	+24V_4	24V power supply 4	+24V_6	24V power supply 6	+24V_8	24V power supply 8
B2	+24V_2	24V power supply 2	+24V_4	24V power supply 4	+24V_6	24V power supply 6	+24V_8	24V power supply 8
A3	IN32	Input 32	IN64	Input 64	OUT32	Output 32	OUT64	Output 64
B3	IN31	Input 31	IN63	Input 63	OUT31	Output 31	OUT63	Output 63
A4	IN30	Input 30	IN62	Input 62	OUT30	Output 30	OUT62	Output 62
B4	IN29	Input 29	IN61	Input 61	OUT29	Output 29	OUT61	Output 61
A5	IN28	Input 28	IN60	Input 60	OUT28	Output 28	OUT60	Output 60
B5	IN27	Input 27	IN59	Input 59	OUT27	Output 27	OUT59	Output 59
A6	IN26	Input 26	IN58	Input 58	OUT26	Output 26	OUT58	Output 58
B6	IN25	Input 25	IN57	Input 57	OUT25	Output 25	OUT57	Output 57
A7	IN24	Input 24	IN56	Input 56	OUT24	Output 24	OUT56	Output 56
B7	IN23	Input 23	IN55	Input 55	OUT23	Output 23	OUT55	Output 55
A8	IN22	Input 22	IN54	Input 54	OUT22	Output 22	OUT54	Output 54
B8	IN21	Input 21	IN53	Input 53	OUT21	Output 21	OUT53	Output 53
A9	IN20	Input 20	IN52	Input 52	OUT20	Output 20	OUT52	Output 52
B9	IN19	Input 19	IN51	Input 51	OUT19	Output 19	OUT51	Output 51
A10	IN18	Input 18	IN50	Input 50	OUT18	Output 18	OUT50	Output 50
B10	IN17	Input 17	IN49	Input 49	OUT17	Output 17	OUT49	Output 49
A11	IN16	Input 16	IN48	Input 48	OUT16	Output 16	OUT48	Output 48
B11	IN15	Input 15	IN47	Input 47	OUT15	Output 15	OUT47	Output 47
A12	IN14	Input 14	IN46	Input 46	OUT14	Output 14	OUT46	Output 46
B12	IN13	Input 13	IN45	Input 45	OUT13	Output 13	OUT45	Output 45
A13	IN12	Input 12	IN44	Input 44	OUT12	Output 12	OUT44	Output 44
B13	IN11	Input 11	IN43	Input 43	OUT11	Output 11	OUT43	Output 43
A14	IN10	Input 10	IN42	Input 42	OUT10	Output 10	OUT42	Output 42
B14	IN09	Input 9	IN41	Input 41	OUT09	Output 9	OUT41	Output 41
A15	IN08	Input 8	IN40	Input 40	OUT08	Output 8	OUT40	Output 40
B15	IN07	Input 7	IN39	Input 39	OUT07	Output 7	OUT39	Output 39
A16	IN06	Input 6	IN38	Input 38	OUT06	Output 6	OUT38	Output 38
B16	IN05	Input 5	IN37	Input 37	OUT05	Output 5	OUT37	Output 37
A17	IN04	Input 4	IN36	Input 36	OUT04	Output 4	OUT36	Output 36
B17	IN03	Input 3	IN35	Input 35	OUT03	Output 3	OUT35	Output 35
A18	IN02	Input 2	IN34	Input 34	OUT02	Output 2	OUT34	Output 34
B18	IN01	Input 1	IN33	Input 33	OUT01	Output 1	OUT33	Output 33
A19	-	-	-	-	024V_5	Common ground 5	024V_7	Common ground 7
B19	-	-	-	-	024V_5	Common ground 5	024V_7	Common ground 7
A20	+24V_1	24V power supply 1	+24V_3	24V power supply 3	+24V_5	24V power supply 5	+24V_7	24V power supply 7
B20	+24V_1	24V power supply 1	+24V_3	24V power supply 3	+24V_5	24V power supply 5	+24V_7	24V power supply 7

REV	DESCRIPTION	ECN #	DRAWN BY	DATE
0	INITIAL RELEASE	2010-570	-	-

MATERIAL:	TOLERANCES / REFERENCES:
N/A	UNLESS OTHERWISE SPECIFIED
SPEC: N/A	
FINISH: N/A	
MODELS: SEE CHART	
REF DIMS: UDA00452 (0)	
	UNITS: mm
	SCALE: NTS

	DRAWN: E. SONDERMAN	DATE: 5/14/10	TITLE: CBK-U-MP2C-XX TERMINAL BLOCK & CABLE KIT INSTRUCTIONS
	CHECKED: C. KINTNER	DATE: 5/26/10	
THIS DOCUMENT AND INFORMATION CONTAINED HEREIN ARE CONFIDENTIAL AND CANNOT BE COPIED OR DISCLOSED IN WHOLE OR IN PART WITHOUT THE EXPRESS WRITTEN CONSENT OF YASKAWA AMERICA INC.	TECH: N. HOUCK	DATE: 5/25/10	ITEM #: SEE CHART
	APPROVED: M. MORAN	DATE: 5/26/10	
	ORIGINAL DESIGN: -	DATE: -	DRAWING #: UDA00676
			PAGE 2 of 2